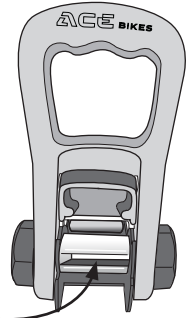


1

Attach the webbing or hooks to solid anchor points on the motorcycle and floor.

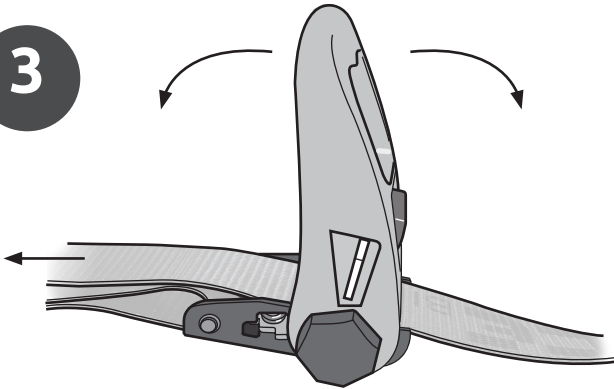
2

Pump the ratchet until the opening is visible and push the webbing through the reel opening from front to back.



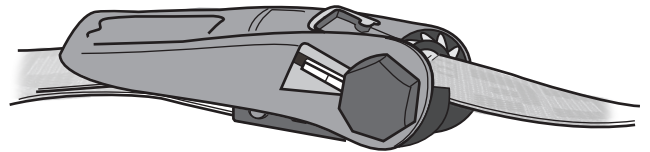
Feed the webbing

3



4

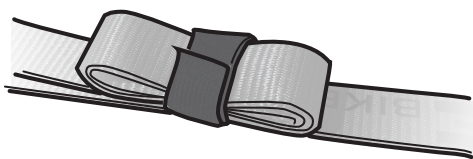
When enough tension is reached, close the handle flat and secure the leftover strap with included velcro strapbinder.



Pull the webbing until all slack is removed and pump the ratchet handle, make sure at least two layers of webbing is wound around the reel.

CAUTION: To many layers of webbing around the reel will jam the ratchet.

5

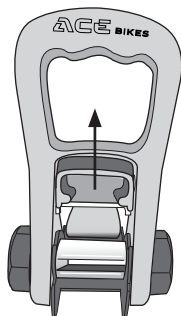


Secure loose webbing.

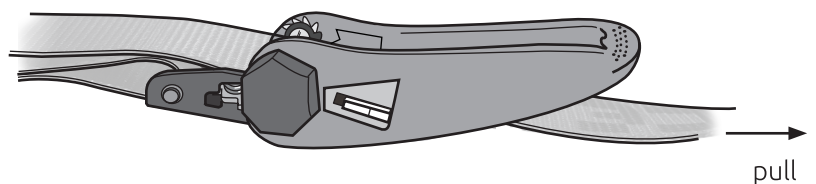


6

To release the ratchet, compress the locking clip and fold the ratchet open to 180 degrees until the tension is released, now you can easily pull the webbing out of the reel.



180 degrees



pull